

Yamato®

取扱説明書

Instruction Manual

Parts List

上ギャザ取り装置
TOP GATHERING

TG3

AZF8518 G

1. Where to install

2. How to install

3. How to adjust

4. How to use

5. Adjusting separator lifting lever

6. Position of fabric guide

7. Adjusting gathering amount

このたびは、本製品をお買い上げいただき、まことにありがとうございます。
本製品のご使用にあたっては、取扱説明書を最後までお読みいただき、内容をよく理解してから正しくお使いください。
また、お読みになった後は、お使いになる方がいつでも見られるところに保管してください。

Thank you for having purchased the TG3 device.

Before using your TG3 device, please read the instruction manual and understand the contents well.

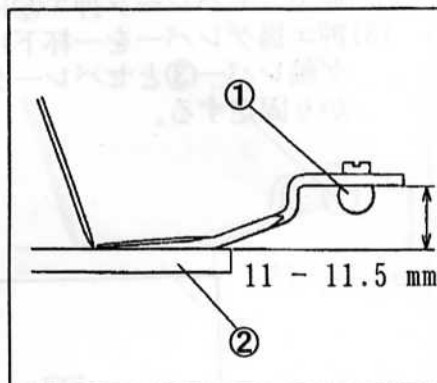
After reading the instruction manual, please keep it in a location where it is easily accessible to the operator.

Installing T G 3 device

1. Where to install separator

1-1 Height of separator supporting shaft

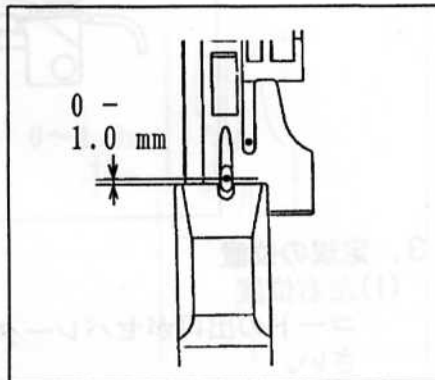
Place the the separator supporting shaft ① to the position where its lower surface is 11 - 11.5 mm higher from the upper surface of the stitch plate ②.



1-2 Front-and-rear position of separator

Adjust the front-and-rear position of the separator so that the distance from the center of the needle hole to the point of the separator is 0 - 1.0 mm.

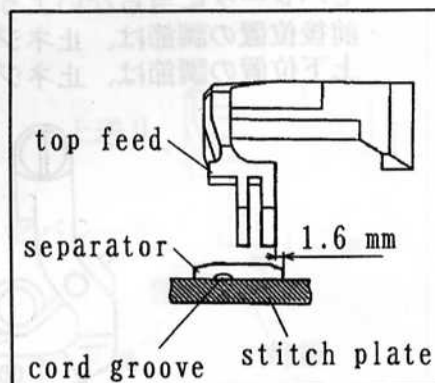
Note: "The center of the needle hole" means the hole for the needle for double chainstitch.



1-3 Left-and-right position of separator

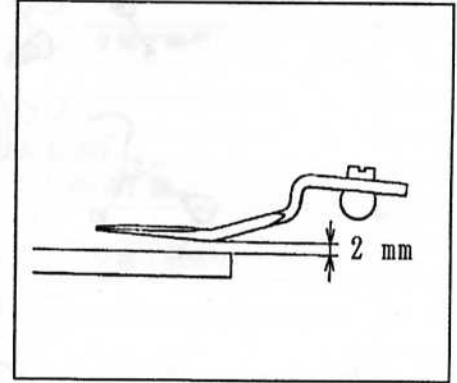
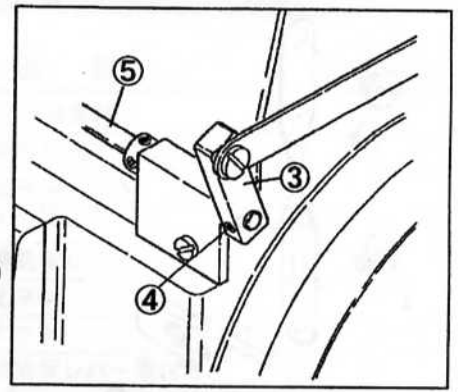
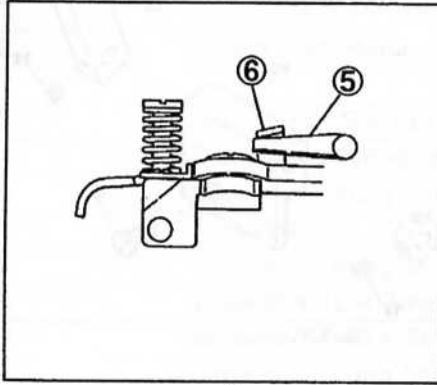
Place the separator to the position where the distance from the right side of the top feed to that of the separator is 1.6 mm.

At this moment, make sure that the cord groove on the bottom of the presser foot and that on the lower side of the separator are in the same line. Check this by passing a cord actually.



2. Adjusting separator lifting lever

- (1) Loosen the two screws④ on the separator lifting shaft lever③.
- (2) Attach the separator lifting shaft⑤ to the separator presser⑥ while keeping the distance between the separator's lower surface and stitch plate surface about 2 mm.
- (3) Tighten the separator lifting shaft lever③ and the separator lifting lever⑤ securely with the screws④ while keeping the separator lifting lever in its lowest position.



3. Position of fabric guide

- (1) Left-and-right position

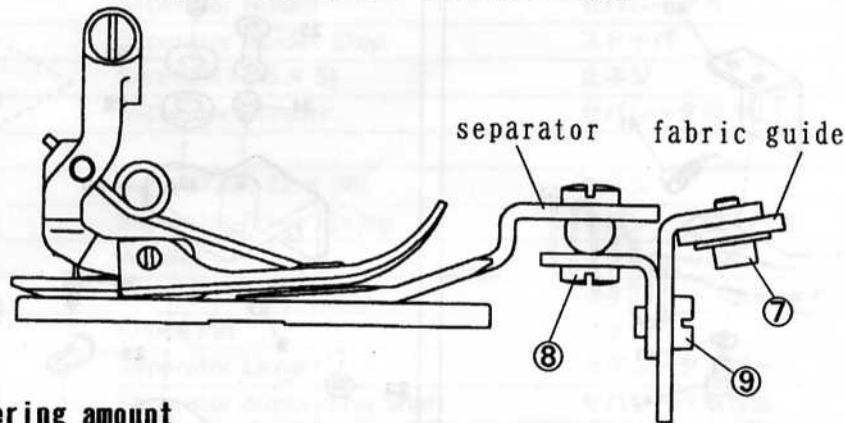
Loosen the screw⑦ and adjust the position of the fabric guide so that the end of the cord and the cord groove of the separator are in the same line.

- (2) Front-and-rear and up-and-down position

Place the fabric guide as close as possible to the separator. At this moment, make sure that the guide does not touch the separator.

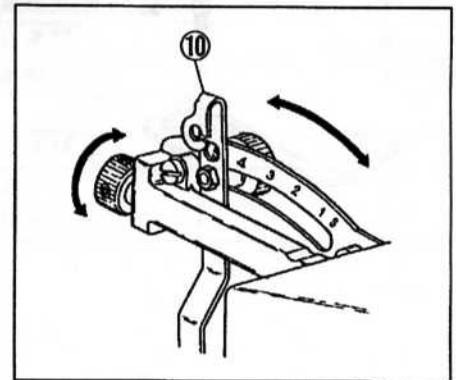
Loosen the screw⑧ and adjust the front-and-rear position.

Loosen the screw⑨ and adjust the up-and-down position.



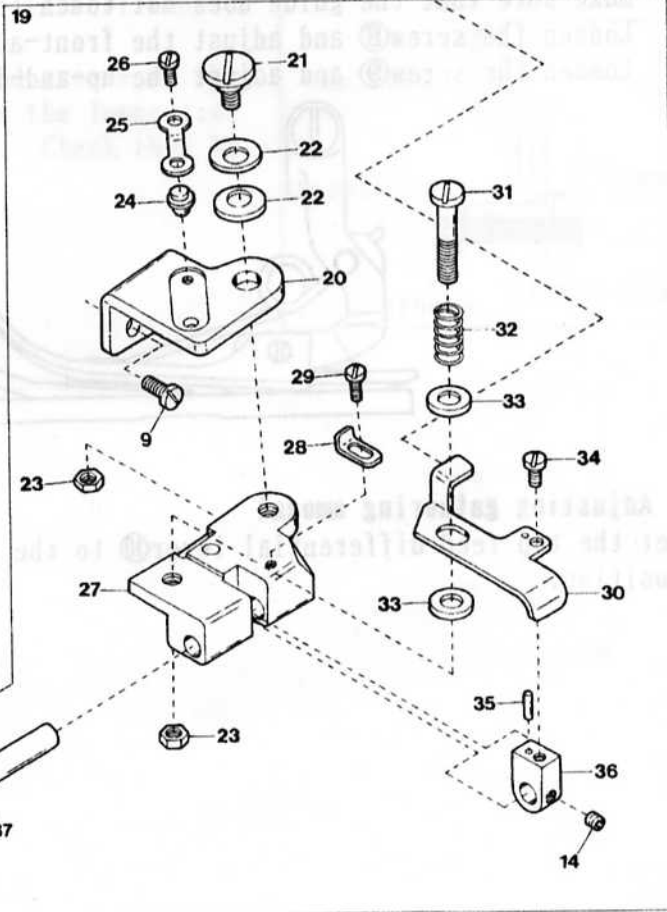
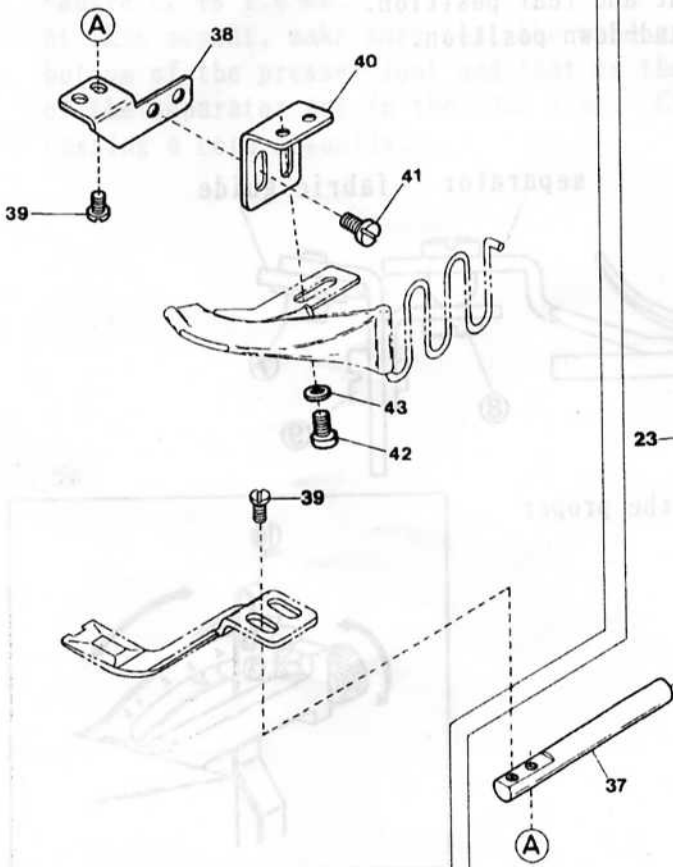
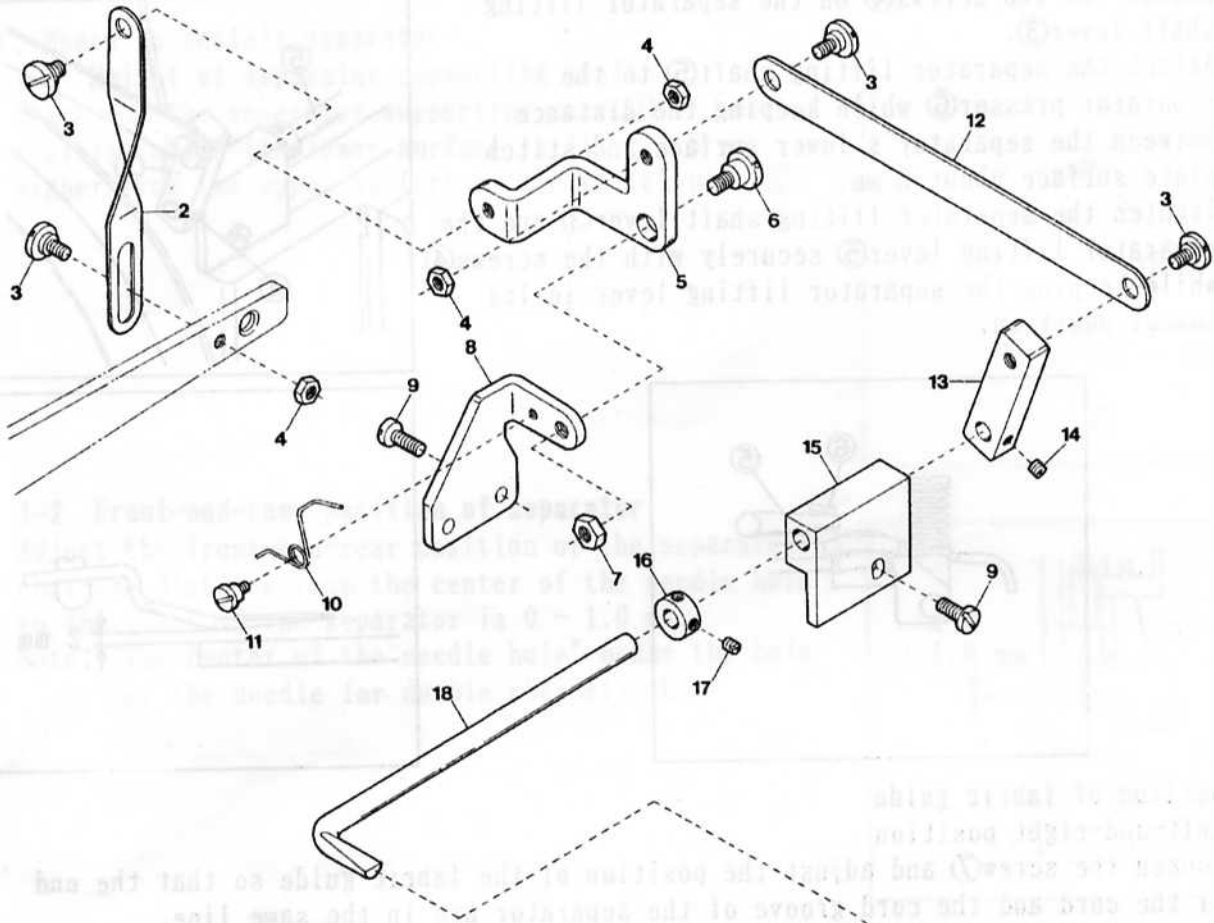
4. Adjusting gathering amount

Set the top feed differential lever⑩ to the proper position.



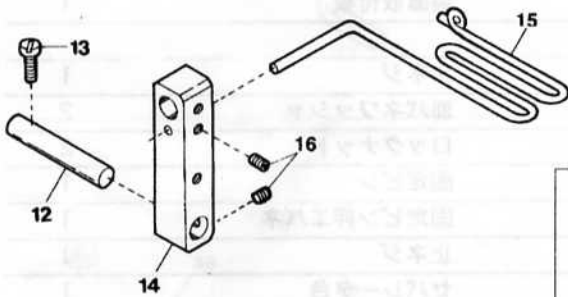
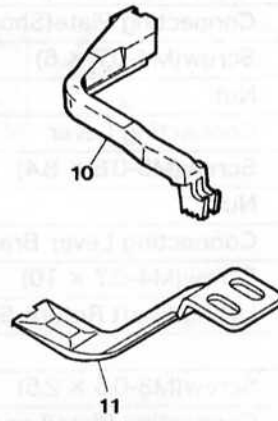
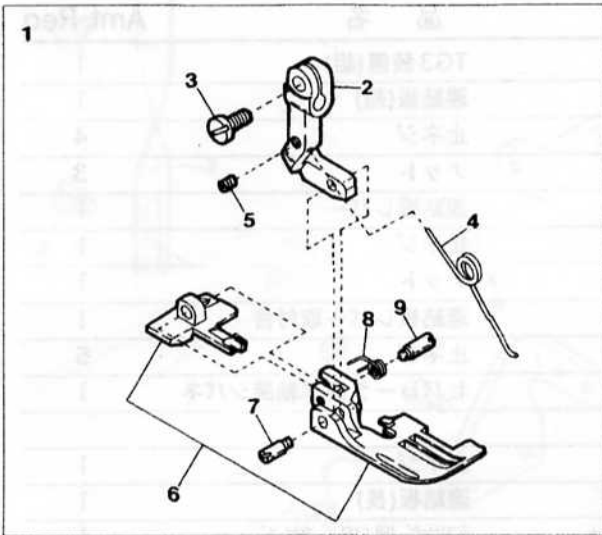
TG3 DEVICE(1)

1

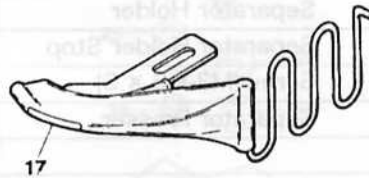


Ref.No	Parts No.	Description	品名	Amt. Req
1	2129931	TG3 Device, Complete Set	TG3 装置(組)	1
2	2121048	Connecting Plate(Short)	連結板(短)	1
3	170005	Screw(M4-0.7 × 6)	止ネジ	4
4	100001	Nut	ナット	3
5	2101241	Connecting Lever	連結板レバー	1
6	170031	Screw(M5-0.8 × 8.4)	止ネジ	1
7	100002	Nut	ナット	1
8	2101242	Connecting Lever Bracket	連結板レバー取付台	1
9	110047	Screw(M4-0.7 × 10)	止ネジ	5
10	2121052	Lifting Shaft Return Spring	セパレータ揚ゲ軸戻シバネ	1
11	170007	Screw(M3-0.5 × 2.5)	止ネジ	1
12	2101244	Connecting Plate(Long)	連結板(長)	1
13	2101259	Separator Lifting Shaft Lever	ラジゲ 押I揚ゲ軸バ-	1
14	160001	Screw(M4-0.7 × 4)	止ネジ	2
15	2121047	Separator Lifting Shaft Holder	セパレータ揚ゲ軸受ケ	1
16	0034505	Collar(6 × 12 × 7mm)	カラー	1
17	001459	Screw(9/64-40 × 3)	止ネジ	2
18	2121046	Separator Lifting Shaft	セパレータ揚ゲ軸	1
19	2121084	Separator Basement, C. Set	セパレータ取付台(組)	1
20	2121080	Separator Bracket	装置取付板	1
21	004541	Screw(7/32-32 × 7)	止ネジ	1
22	000621	Conical Spring Washer	皿バネワッシャ	2
23	000355	Lock Nut	ロックナット	2
24	0022435	Positioning Pin	固定ピン	1
25	0022436	Positioning Pin Holder Spring	固定ピン押エバネ	1
26	001196	Screw(1/8-44 × 6)	止ネジ	1
27	2121042	Separator Holder	セパレータ台	1
28	3100518	Separator Holder Stop	ストッパ	1
29	110002	Screw(M3-0.5 × 5)	止ネジ	1
30	2121044	Separator Presser	セパレータ押工	1
31	004540	Screw(7/32-32 × 28)	止ネジ	1
32	0058244	Separator Press Spring	セパレータ押工バネ	1
33	000663	Washer	ワッシャ	2
34	005000	Screw(9/64-40 × 5.7)	止ネジ	1
35	340022	Knock Pin	ノックピン	1
36	2121043	Separator Lever	セパレータレバー	1
37	2121041	Separator Supporting Shaft	セパレータ取付軸	1
38	2161022	Folder Support(Rear)	定規台(後)	1
39	007006	Screw(9/64-40 × 4)	止ネジ	4
40	2161021	Folder Support(Front)	定規台(前)	1
41	110008	Screw(M4-0.7 × 5)	止ネジ	2
42	009779	Screw(M3-0.5 × 6)	止ネジ	2
43	000533	Washer	ワッシャ	2

AZF8518G-A4



EXTRA PARTS



Ref.No	Parts No.	Description	品 名	Amt. Req
1	2127511	Presser Foot, C. Set(A4)	押エ(組)	1
2	2127602	Presser Foot Hinge	押エヒンジ	1
3	004351	Screw(9/64-40 × 7)	止ネジ	1
4	2127603	Presser Foot Spring	押エバネ	1
5	003637	Screw(1/8-44 × 2.5)	止ネジ	2
6	2127531	Presser Foot(Front/Rear) Unt	押エ (前・後)(組)	1
7	0026140	Presser Foot Hinge Pin	押エヒンジピン	1
8	2127604	Presser Foot Spring(Small)	押エバネ(小)	1
9	280002	Screw(3/32-56 × 2.4)	止ネジ	1
10	2129052	Top Feed Dog	上送り	1
11	2161020	Separator	セパレータ	1
12	0022981	Tape Guide Stay Shaft	テープガイド支工取付軸	1
13	110009	Screw(M4-0.7 × 8)	止ネジ	1
14	0022963	Tape Guide Stay	テープガイド支工	1
15	0022982	Tape Guide	テープガイド	1
16	003638	Screw(11/64-40 × 4)	止ネジ	2
17	0026254	Folder(Lite Materials)(20mm)	定規(薄物用)	1